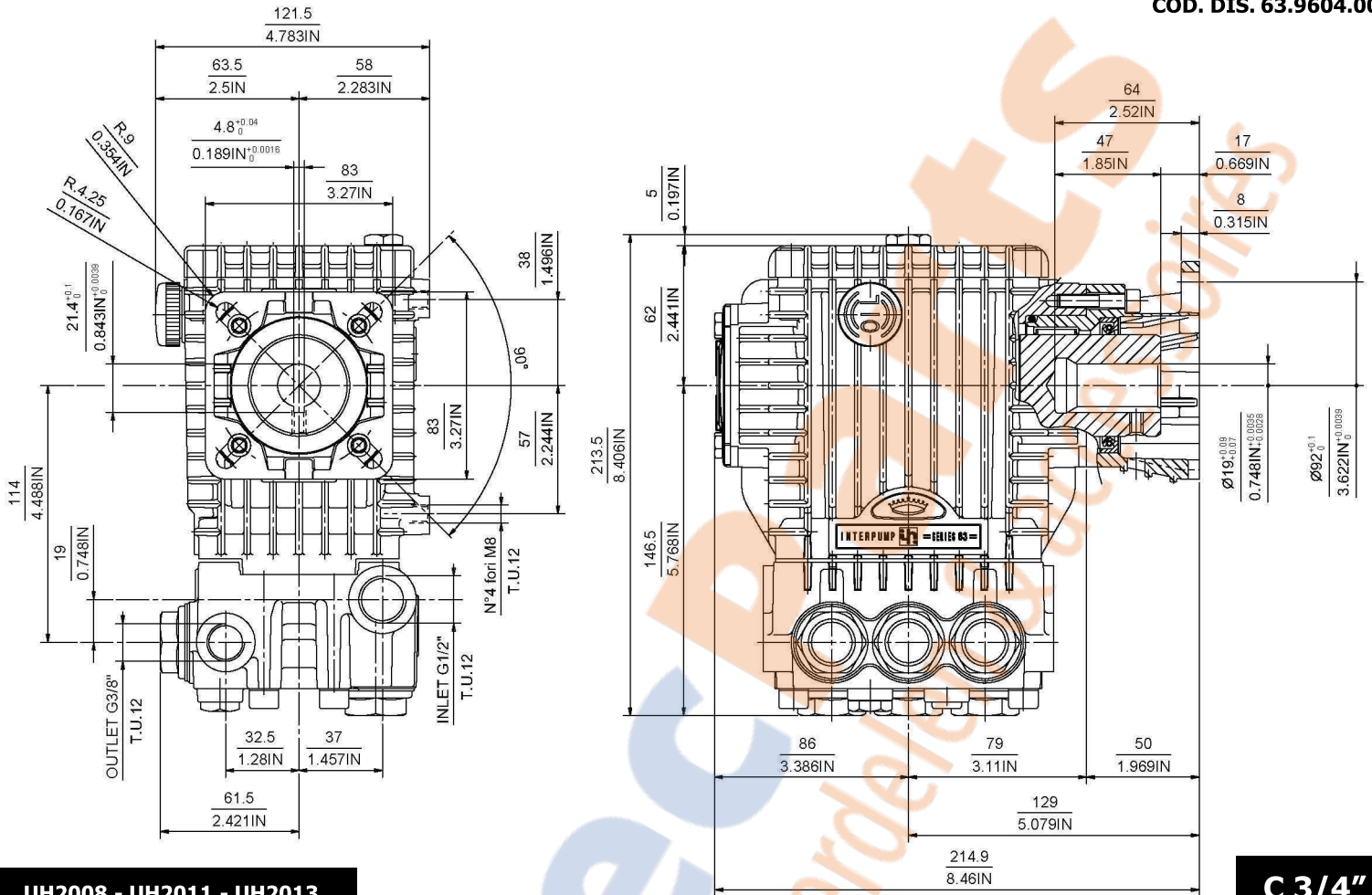


**DIMENSIONI D'INGOMBRO – OVERALL DIMENSIONS – DIMENSIONS D'ENCOMBREMENT  
RAUMBEDARF – DIMENSIONES TOTALES – DIMENSÕES**

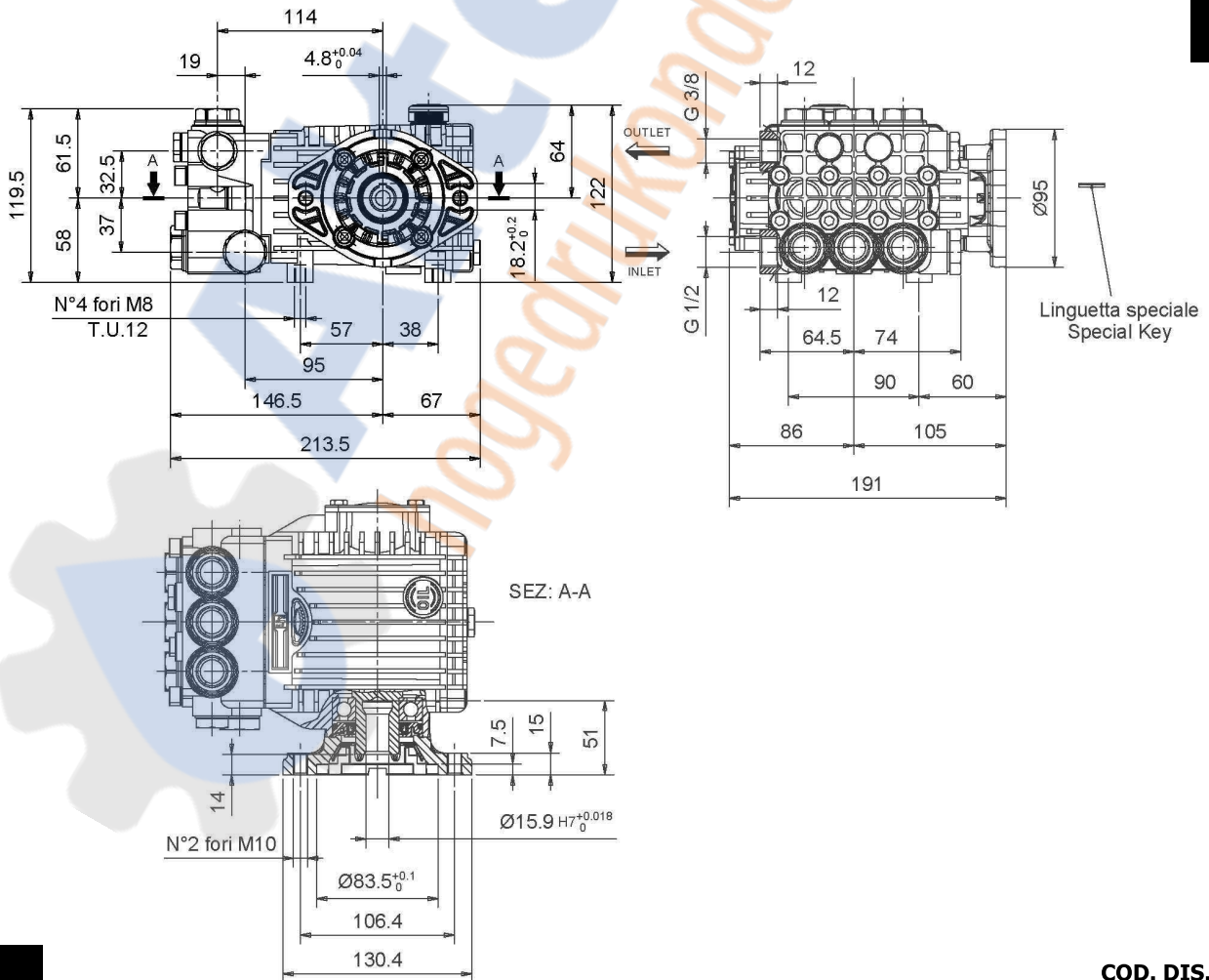
**COD. DIS. 63.9604.00**



**UH2008 - UH2011 - UH2013**

**C 3/4"**

**I**



**UL1716**

**COD. DIS. 63.9620.00**